

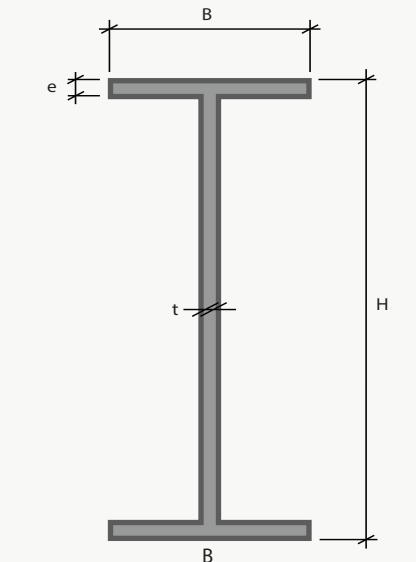
VIGAS METÁLICAS

IRX Chile

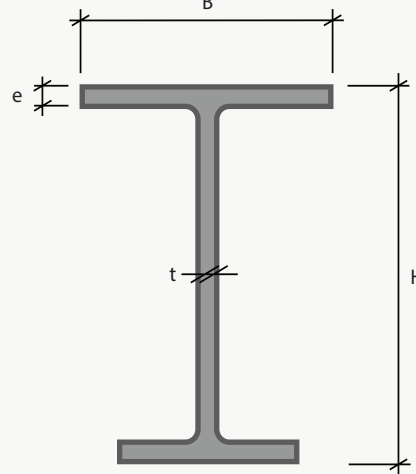
ESPECIFICACIONES GENERALES

- Tolerancias Dimensionales según NCH 730.Of71
- Tolerancias de soldaduras según AWS D1.1 Ed. 2015
- Largo a pedido (hasta 6mts., largo mayor con empalme)
- Calidades Normales * A36

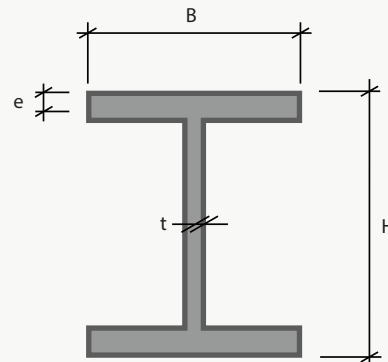
VIGAS TIPO IN



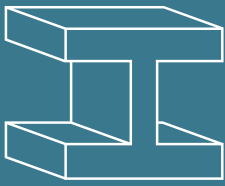
VIGAS TIPO IE



VIGAS TIPO HN



* Todos los productos son fabricados a pedido según disponibilidad de materia prima



VIGAS SOLDADAS

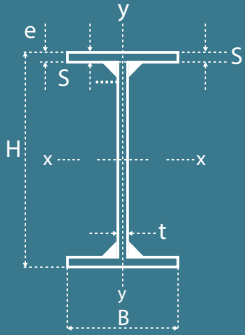
TIPO IN

DETALLES DE MEDIDAS

DESIGNACIÓN

IN H X PESO

CM X KG/M



IN 100x352
IN 100x322
IN 100x304
IN 100x280
IN 100x279
IN 100x258
IN 100x242
IN 100x226
IN 100x215
IN 100x205
IN 100x194

IN 90x328
IN 90x298
IN 90x280
IN 90x255

IN 90x254
IN 90x233
IN 90x217
IN 90x202
IN 90x191
IN 90x180
IN 90x170

IN 80x250
IN 80x234
IN 80x212
IN 80x196
IN 80x180

IN 80x177
IN 80x163
IN 80x154
IN 80x145
IN 80x136
IN 80x127

IN 70x232
IN 70x216
IN 70x194
IN 70x178
IN 70x162

IN 70x159
IN 70x145
IN 70x136
IN 70x126
IN 70x117
IN 70x108

Dimensiones			Sección Total									
			Area Eje X-X				Eje Y-Y			Flexión		Sold
B	e	t	A	I	W	i	I	W	i	ia	it	Smin
mm	mm	mm	cm ²	cm ⁴	cm ³	cm	cm ⁴	cm ³	cm	cm	cm	mm

400	40	14	449	829000	16600	43.0	42700	2130	9.75	11.3	1.60	10
400	35	14	410	746000	14900	42.6	37400	1870	9.54	11.2	1.40	8
400	32	14	387	696000	13900	42.4	34200	1710	9.39	11.1	1.28	8
400	28	14	356	627000	12500	42.0	29900	1490	9.16	10.9	1.12	8
350	32	14	355	621000	12400	41.8	22900	1310	8.03	9.60	1.12	8
350	28	14	328	561000	11200	41.4	20000	1140	7.81	9.45	0.980	8
350	25	14	308	516000	10300	40.9	17900	1020	7.62	9.31	0.875	8
350	22	14	288	470000	9400	40.4	15700	900	7.40	9.15	0.770	8
350	20	14	274	439000	8790	40.0	14300	818	7.22	9.02	0.700	6
350	18	14	261	408000	8170	39.6	12900	736	7.03	8.88	0.630	6
350	16	14	248	377000	7540	39.0	11500	655	6.80	8.72	0.560	6

400	40	12	418	647000	14400	39.3	42700	2130	10.10	11.6	1.78	10
400	35	12	380	581000	12900	39.1	37300	1870	9.92	11.4	1.56	8
400	32	12	356	541000	12000	39.0	34100	1710	9.79	11.3	1.42	8
400	28	12	325	486000	10800	38.7	29900	1490	9.58	11.2	1.24	8

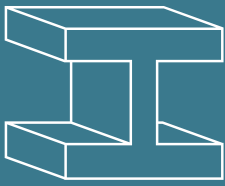
350	32	12	324	481000	10700	38.5	22900	1310	8.40	9.82	1.24	8
350	28	12	297	433000	9620	38.2	20000	1140	8.21	9.68	1.09	8
350	25	12	277	396000	8810	37.8	17900	1020	8.03	9.56	0.972	8
350	22	12	257	360000	7990	37.4	15700	899	7.83	9.41	0.856	8
350	20	12	243	335000	7440	37.1	14300	817	7.67	9.30	0.778	6
350	18	12	230	310000	6880	36.7	12900	736	7.49	9.18	0.700	6
350	16	12	216	284000	6320	36.3	11400	654	7.28	9.03	0.622	6

350	35	10	318	391000	9780	35.1	25000	1430	8.87	10.1	1.53	8
350	32	10	298	364000	9090	35.0	22900	1310	8.77	10.0	1.40	8
350	28	10	270	326000	8160	34.7	20000	1140	8.60	9.90	1.22	8
350	25	10	250	298000	7450	34.5	17900	1020	8.45	9.80	1.09	8
350	22	10	230	269000	6730	34.2	15700	899	8.28	9.67	0.962	8

300	25	10	225	260000	6510	34.0	11300	750	7.07	8.32	0.938	8
300	22	10	208	236000	5900	33.7	9910	660	6.91	8.20	0.825	8
300	20	10	196	219000	5480	33.4	9010	600	6.78	8.11	0.750	6
300	18	10	184	202000	5060	33.1	8110	540	6.63	8.01	0.675	6
300	16	10	173	185000	4630	32.7	7210	480	6.46	7.89	0.600	6
300	14	10	161	168000	4200	32.3	6310	420	6.25	7.75	0.525	6

350	35	8	295	288000	8220	31.2	25000	1430	9.20	10.3	1.75	8
350	32	8	275	267000	7640	31.2	22900	1310	9.12	10.2	1.60	8
350	28	8	248	239000	6830	35.1	20000	1140	8.99	10.1	1.40	8
350	25	8	227	218000	6220	31.0	17900	1020	8.87	10.0	1.25	8
350	22	8	206	196000	5600	30.8	15700	898	8.73	9.92	1.10	8

300	25	8	202	189000	5410	30.6	11300	750	7.46	8.53	1.07	8
300	22	8	184	171000	4870	30.4	9900	660	7.33	8.43	0.943	8
300	20	8	173	158000	4510	30.2	9000	600	7.22	8.36	0.857	6
300	18	8	161	145000	4150	30.0	8100	540	7.09	8.27	0.771	6
300	16	8	149	132000	3780	29.7	7200	480	6.94	8.17	0.686	6
300	14	8	138	119000	3400	29.4	6300	420	6.76	8.05	0.600	6



VIGAS SOLDADAS

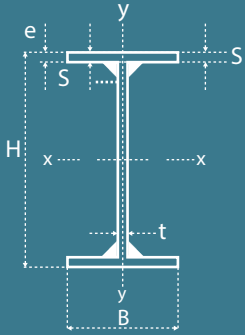
TIPO IN

DETALLES DE MEDIDAS

DESIGNACIÓN

IN H X PESO

CM X KG/M



IN 60x184
IN 60x166
IN 60x152
IN 60x139
IN 60x129

IN 60x121
IN 60x114
IN 60x106
IN 60x98.5
IN 60x90.9
IN 60x83.3

IN 50x182
IN 50x166
IN 50x150

IN 50x132
IN 50x123
IN 50x114
IN 50x105

IN 50x99.8
IN 50x92.2
IN 50x84.6
IN 50x77.0

IN 45x157
IN 45x143
IN 45x129
IN 45x120

IN 45x112
IN 45x104
IN 45x96.6
IN 45x89.1

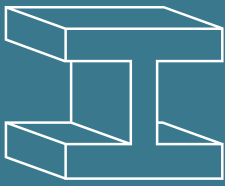
IN 45x82.5
IN 45x76.5
IN 45x70.5
IN 45x64.4

IN 40x140
IN 40x126
IN 40x111

IN 40x109
IN 40x95.5
IN 40x87.8
IN 40x80.1

IN 40x73.7
IN 40x67.6
IN 40x61.5
IN 40x55.4
IN 40x49.3

Dimensiones			Sección Total									
			Area Eje X-X				Eje Y-Y			Flexión		Sold
B	e	t	A	I	W	i	I	W	i	ia	it	Smin
mm	mm	mm	cm ²	cm ⁴	cm ³	cm	cm ⁴	cm ³	cm	cm	cm	mm
300	32	8	235	165000	5510	26.5	14400	960	7.83	8.86	1.60	8
300	28	8	212	148000	4940	26.5	12600	840	7.72	8.75	1.40	8
300	25	8	194	135000	4510	26.4	11300	750	7.62	8.66	1.25	8
300	22	8	176	122000	4060	26.3	9900	660	7.49	8.56	1.10	8
300	20	8	165	113000	3760	26.1	9900	600	7.39	8.48	1.00	6
250	22	8	154	103000	3450	25.9	5730	459	6.09	7.06	0.917	8
250	20	8	145	95800	3190	25.7	5210	417	6.00	7.00	0.833	6
250	18	8	135	88200	2940	25.5	4690	375	5.89	6.92	0.750	6
250	16	8	125	80400	2680	25.3	4170	334	5.77	6.83	0.667	6
250	14	8	116	72600	2420	25.0	3650	292	5.61	6.73	0.583	6
250	12	8	106	64600	2150	24.7	3130	250	5.43	6.60	0.500	5
350	28	8	232	115000	4610	22.3	20000	1140	9.30	10.4	1.96	8
350	25	8	211	105000	4200	22.3	17900	1020	9.20	10.3	1.75	8
350	22	8	190	94300	3770	22.3	15700	898	9.09	10.2	1.54	8
300	22	8	168	81800	3270	22.0	9900	660	7.67	8.70	1.32	8
300	20	8	157	75600	3030	22.0	9000	600	7.58	8.62	1.20	6
300	18	8	145	69400	2780	21.9	8100	540	7.47	8.54	1.08	6
300	16	8	133	63100	2520	21.7	7200	480	7.35	8.45	0.960	6
250	18	8	127	59000	2360	21.5	4690	375	6.07	7.05	0.900	6
250	16	8	117	53700	2150	21.4	4170	333	5.96	6.97	0.800	6
250	14	8	108	48400	1930	21.2	3650	292	5.82	6.87	0.700	6
250	12	8	98.1	42900	1720	20.9	3130	250	5.65	6.75	0.600	5
300	28	8	200	79000	3510	19.9	12600	840	7.95	8.99	1.87	8
300	25	8	182	72100	3200	19.9	11300	750	7.86	8.89	1.67	8
300	22	8	164	65000	2890	19.9	9900	660	7.76	8.78	1.47	8
300	20	8	153	60100	2670	19.8	9000	600	7.68	8.71	1.33	6
250	22	8	142	54900	2440	19.6	5730	458	6.34	7.27	1.22	8
250	20	8	133	50900	2260	19.6	5210	417	6.26	7.20	1.11	6
250	18	8	123	46700	2080	19.5	4690	375	6.17	7.13	1.00	6
250	16	8	113	42600	1890	19.4	4170	333	6.06	7.04	0.889	6
200	18	8	105	38300	1700	19.1	2400	240	4.78	5.63	0.800	6
200	16	8	97.4	35000	1560	19.0	2140	214	4.68	5.56	0.711	6
200	14	8	89.4	31600	1410	18.8	1870	187	4.56	5.47	0.622	6
200	12	8	82.1	28200	1250	18.5	1600	160	4.42	5.36	0.535	5
300	25	8	178	55700	2780	17.7	11300	750	7.95	8.99	1.87	8
300	22	8	160	50200	2510	17.7	9900	660	7.85	8.88	1.65	8
300	20	6	142	45700	2280	18.0	9000	600	7.97	8.88	1.50	6
250	22	8	138	42300	2120	17.5	5730	458	6.43	7.36	1.37	8
250	20	6	122	38500	1920	17.8	5210	417	6.54	7.36	1.25	6
250	18	6	112	35300	1760	17.8	4690	375	6.47	7.29	1.12	6
250	16	6	102	32000	1600	17.7	4170	333	6.39	7.22	1.00	6
200	18	6	93.8	28700	1430	17.5	2400	240	5.06	5.78	0.900	6
200	16	6	86.1	26100	1300	17.4	2130	213	4.98	5.72	0.800	6
200	14	6	78.3	23400	1170	17.3	1870	187	4.88	5.64	0.700	6
200	12	6	70.6	20700	1040	17.1	1600	160	4.76	5.56	0.600	5
200	10	6	62.8	18000	898	16.9	1330	133	4.61	5.45	0.500	5



VIGAS SOLDADAS

TIPO IN

DETALLES DE MEDIDAS

DESIGNACIÓN

IN H X PESO

CM X KG/M

IN 35x137

IN 35x123

IN 35x109

IN 35x106

IN 35x93.1

IN 35x85.4

IN 35x77.8

IN 35x71.3

IN 35x65.2

IN 35x59.1

IN 35x53.0

IN 35x46.9

IN 30x102

IN 30x90.7

IN 30x83.1

IN 30x75.4

IN 30x69.0

IN 30x62.9

IN 30x56.8

IN 30x50.7

IN 30x44.6

IN 30x41.3

IN 30x36.7

IN 30x32.2

IN 25x72.7

IN 25x66.6

IN 25x60.5

IN 25x54.4

IN 25x46.6

IN 25x43.4

IN 25x37.1

IN 25x32.6

IN 25x27.7

IN 25x24.7

IN 25x21.7

IN 25x18.8

IN 20x50.1

IN 20x45.6

IN 20x41.1

IN 20x35.2

IN 20x30.6

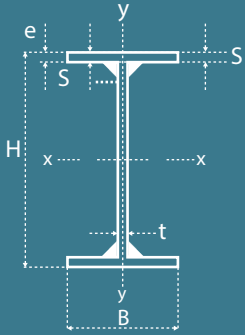
IN 20x25.7

IN 20x22.8

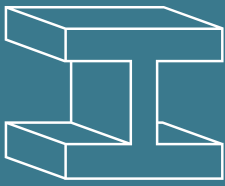
IN 20x19.8

IN 20x16.8

IN 20x13.8



Dimensiones			Sección Total									
B	e	t	Area Eje X-X				Eje Y-Y			Flexión		Sold
mm	mm	mm	A	I	W	i	I	W	i	ia	it	Smin
mm	mm	mm	cm ²	cm ⁴	cm ³	cm	cm ⁴	cm ³	cm	cm	cm	mm
300	25	8	174	41500	2370	15.4	11300	750	8.04	9.11	2.14	8
300	22	8	156	37500	2140	15.5	9900	660	7.95	9.00	1.89	8
300	20	6	139	34200	1950	15.7	9000	600	8.06	8.98	1.71	6
250	22	8	134	31500	1800	15.3	5730	458	6.53	7.46	1.57	8
250	20	6	119	28700	1640	15.6	5210	417	6.63	7.45	1.43	6
250	18	6	109	26400	1510	15.6	4690	375	6.56	7.38	1.29	6
250	16	6	99.1	23900	1370	15.5	4170	333	6.49	7.30	1.14	6
200	18	6	90.8	21400	1220	15.4	2400	240	5.14	5.86	1.03	6
200	16	6	83.1	19500	1110	15.3	2130	213	5.07	5.79	0.914	6
200	14	6	75.3	17500	999	15.2	1870	187	4.98	5.72	0.800	6
200	12	6	67.6	15400	883	15.1	1600	160	4.87	5.63	0.686	5
200	10	6	59.8	13400	763	14.9	1330	133	4.72	5.53	0.571	5
250	22	8	130	22400	1490	13.1	5730	458	6.63	7.58	1.83	8
250	20	6	116	20500	1370	13.3	5216	417	6.71	7.56	1.67	6
250	18	6	106	18800	1260	13.3	4690	375	6.66	7.48	1.50	6
250	16	6	96.1	17100	1140	13.3	4170	333	6.59	7.40	1.33	6
200	18	6	87.8	15300	1020	13.2	2400	240	5.23	5.95	1.20	6
200	16	6	80.1	13900	925	13.2	2130	213	5.16	5.88	1.07	6
200	14	6	72.3	12500	831	13.1	1870	187	5.08	5.81	0.93	6
200	12	6	64.6	11000	734	13.1	1600	160	4.98	5.72	0.800	5
200	10	6	56.8	9510	634	12.9	1330	133	4.85	5.62	0.667	5
150	12	6	52.6	8520	568	12.7	675	90.1	3.58	4.22	0.600	5
150	10	6	46.8	7410	494	12.6	563	75.1	3.47	4.14	0.500	5
150	8	6	41.0	6260	417	12.4	451	60.1	3.31	4.02	0.400	5
200	20	6	92.6	11100	886	10.9	2670	267	5.37	6.14	1.60	6
200	18	6	84.8	10200	816	11.0	2400	240	5.32	6.06	1.44	6
200	16	6	77.1	9290	743	11.0	2130	213	5.26	5.99	1.28	6
200	14	6	69.3	8350	668	11.0	1870	187	5.19	5.91	1.12	6
200	12	5	59.3	7280	583	11.1	1600	160	5.19	5.86	0.960	5
150	14	6	55.3	6400	512	10.8	788	105	3.77	4.39	0.840	6
150	12	5	47.3	5580	447	10.9	675	90.0	3.78	4.35	0.720	5
150	10	5	41.5	4830	386	10.8	563	75.0	3.68	4.27	0.600	5
100	12	5	35.3	3880	311	10.5	200	40.0	2.38	2.84	0.480	5
100	10	5	31.5	3390	271	10.4	167	33.4	2.30	2.77	0.400	5
100	8	5	27.7	2880	230	10.2	134	26.7	2.20	2.69	0.320	5
100	6	5	23.9	2350	188	9.91	100	20.0	2.05	2.58	0.240	4
150	18	6	63.8	4710	417	8.59	1010	135	3.98	4.64	1.35	6
150	16	6	58.1	4310	431	8.61	900	120	3.94	4.57	1.20	6
150	14	6	52.3	3890	389	8.63	788	105	3.88	4.50	1.05	6
150	12	5	44.8	3410	341	8.73	675	90.0	3.88	4.45	0.900	5
150	10	5	39.0	2950	295	8.70	563	75.0	3.80	4.37	0.750	5
100	12	5	32.8	2350	235	8.47	200	40.0	2.47	2.92	0.600	5
100	10	5	29.0	2050	205	8.41	157	33.4	2.40	2.85	0.500	5
100	8	5	25.2	1730	173	8.30	134	26.7	2.30	2.77	0.400	5
100	6	5	21.4	1410	141	8.11	100	20.0	2.16	2.67	0.300	4
100	5	4	17.6	1180	118	3.19	83	16.7	2.18	2.66	0.250	4



COLUMNAS SOLDADAS

IRX Chile

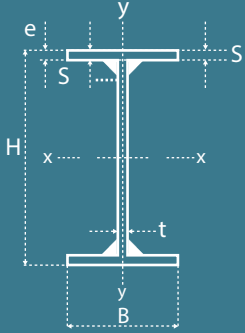
TIPO HN

DETALLES DE MEDIDAS

DESIGNACIÓN

IN H X PESO

CM X KG/M



HN 50x462
HN 50x380
HN 50x336
HN 50x306
HN 50x269
HN 50x246
HN 50x223
HN 50x208
HN 50x192
HN 50x177

HN 45x341
HN 45x301
HN 45x275
HN 45x241
HN 45x214
HN 45x194
HN 45x180
HN 45x166
HN 45x152
HN 45x139

HN 40x301
HN 40x266
HN 40x243
HN 40x214
HN 40x190
HN 40x172
HN 40x160
HN 40x147
HN 40x135
HN 40x123

HN 35x232
HN 35x212
HN 35x186
HN 35x166
HN 35x150
HN 35x134
HN 35x124
HN 35x113
HN 35x102
HN 35x91.5

HN 30x180
HN 30x159
HN 30x141
HN 30x128
HN 30x115
HN 30x106
HN 30x92.2
HN 30x83
HN 30x73.9
HN 30x64.7

Dimensiones			Sección Total									
			Area Eje X-X				Eje Y-Y			Flexión		Sold
B	e	t	A	I	W	i	I	W	i	ia	it	Smin
mm	mm	mm	cm2	cm4	cm3	cm	cm4	cm3	cm	cm	cm	mm

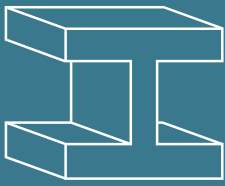
500	50	22	588	266000	10600	21.3	104000	4170	13.3	15.7	5.00	10
500	40	20	484	224000	8980	21.5	83400	3330	13.1	15.2	4.00	10
500	35	18	427	201000	8060	21.7	72900	2920	13.1	15.0	3.50	8
500	32	16	390	187000	7460	21.9	66700	2670	13.1	14.9	3.20	8
500	28	14	342	166000	6650	22.0	58300	2330	13.1	14.8	2.80	8
500	25	14	313	152000	6070	22.0	52100	2080	12.9	14.6	2.50	8
500	22	14	284	137000	5470	22.0	45800	1830	12.7	14.5	2.20	8
500	20	14	264	127000	5060	21.9	41700	1670	12.6	14.3	2.00	6
500	18	14	245	116000	4650	21.8	37500	1500	12.4	14.2	1.80	6
500	16	14	226	106000	4230	21.6	33300	1330	12.2	14.0	1.60	6

450	40	20	434	160000	7120	19.2	60800	2700	11.8	13.9	4.00	10
450	35	18	383	144000	6410	19.4	53200	2360	11.8	13.7	3.50	8
450	32	16	350	134000	5940	19.6	48600	2160	11.8	13.6	3.20	8
450	28	14	307	119000	5310	19.7	42500	1890	11.8	13.4	2.80	8
450	25	12	273	108000	4810	19.9	38000	1690	11.8	13.3	2.50	8
450	22	12	247	97400	4330	19.9	33400	1490	11.6	13.2	2.20	8
450	20	12	229	90200	4010	19.8	30400	1350	11.5	13.1	2.00	6
450	18	12	212	82700	3680	19.8	27300	1220	11.4	12.9	1.80	6
450	16	12	194	75100	3340	19.7	24300	1080	11.2	12.8	1.60	6
450	14	12	177	67400	3000	19.5	21300	945	11.0	12.6	1.40	6

400	40	20	384	110000	5480	16.9	42700	2130	10.5	12.5	4.00	10
400	35	18	339	98900	4950	17.1	37300	1870	10.5	12.3	3.50	8
400	32	16	310	91900	4600	17.2	34100	1710	10.5	12.2	3.20	8
400	28	14	272	82400	4120	17.4	29900	1490	10.5	12.0	2.80	8
400	25	12	242	74700	3740	17.6	26700	1330	10.5	12.0	2.50	8
400	22	12	219	67500	3370	17.6	23500	1170	10.4	11.8	2.20	8
400	20	12	203	62500	3120	17.5	21300	1070	10.2	11.7	2.00	6
400	18	12	188	57400	2870	17.5	19200	960	10.1	11.6	1.80	6
400	16	12	172	52200	2610	17.4	17100	854	9.96	11.4	1.60	6
400	14	12	157	46900	2340	17.3	14900	747	9.77	11.3	1.40	6

350	35	18	295	64300	3680	14.8	25000	1430	9.20	10.9	3.50	8
350	32	16	270	59900	3430	14.9	22900	1310	9.21	10.8	3.20	8
350	28	14	237	53900	3080	15.1	20000	1140	9.19	10.7	2.80	8
350	25	12	211	49000	2800	15.2	17900	1020	9.20	10.6	2.50	8
350	22	12	191	44300	2530	15.2	15700	899	9.08	10.4	2.20	8
350	20	10	171	40600	2320	15.4	14300	817	9.14	10.4	2.00	6
350	18	10	157	37300	2130	15.4	12900	735	9.04	10.3	1.80	6
350	16	10	144	33900	1940	15.4	11400	653	8.92	10.2	1.60	6
350	14	10	130	30500	1740	15.3	10000	572	8.77	10.0	1.40	6
350	12	10	117	26900	1540	15.2	8580	490	8.58	9.88	1.20	5

300	32	16	230	36400	2430	12.6	14400	961	7.92	9.44	3.20	8
300	28	14	202	32900	2190	12.8	12600	840	7.90	9.29	2.80	8
300	25	12	180	30000	2000	12.9	11300	750	7.91	9.19	2.50	8
300	22	12	163	27200	1820	12.9	9900	660	7.80	9.05	2.20	8
300	20	10	146	25000	1670	13.1	9000	600	7.85	9.00	2.00	6
300	18	10	134	23000	1540	13.1	8100	540	7.76	8.90	1.80	6
300	16	8	117	20700	1380	13.3	7200	480	7.83	8.86	1.60	6
300	14	8	106	18500	1240	13.2	6300	420	7.72	8.75	1.40	6
300	12	8	94.1	16300	1090	13.2	5400	360	7.58	8.62	1.20	5
300	10	8	82.4	14100	939	13.1	4500	300	7.39	8.48	1.00	5



COLUMNAS SOLDADAS

IRX Chile

TIPO HN

DETALLES DE MEDIDAS

DESIGNACIÓN

IN H X PESO

CM X KG/M

HN 25x131

HN 25x117

HN 25x106

HN 25x95.0

HN 25x87.4

HN 25x76.5

HN 25x68.9

HN 25x57.7

HN 25x50.1

HN 25x42.4

HN 20x90.3

HN 20x81.3

HN 20x75.4

HN 20x69.4

HN 20x60.8

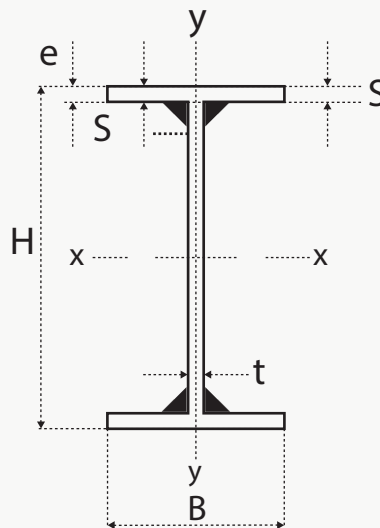
HN 20x54.8

HN 20x46.0

HN 20x39.9

HN 20x33.8

Dimensiones			Sección Total									
			Area Eje X-X				Eje Y-Y			Flexión		Sold
B	e	t	A	I	W	i	I	W	i	ia	it	Smin
mm	mm	mm	cm ²	cm ⁴	cm ³	cm	cm ⁴	cm ³	cm	cm	cm	mm
250	28	14	167	18200	1460	10.4	7300	584	6.61	7.92	2.80	8
250	25	12	149	16700	1330	10.6	6510	521	6.61	7.81	2.50	8
250	22	12	135	15200	1220	10.6	5730	459	6.52	7.67	2.20	8
250	20	10	121	14000	1120	10.8	5210	417	6.56	7.62	2.00	6
250	18	10	111	13000	1040	10.8	4690	375	6.49	7.52	1.80	6
250	16	8	97.4	11700	933	10.9	4170	333	6.54	7.47	1.60	6
250	14	8	87.8	10500	839	10.9	3650	292	6.45	7.37	1.40	6
250	12	6	73.6	9080	726	11.1	3130	250	6.52	7.33	1.20	6
250	10	6	63.8	7810	625	11.1	2600	208	6.39	7.22	1.00	5
250	8	6	54	6500	520	11.0	2080	167	6.21	7.08	0.800	5
200	25	10	115	7990	799	8.34	3330	333	5.38	6.46	2.50	8
200	22	10	104	7320	732	8.41	2930	293	5.32	6.33	2.20	8
200	20	10	96.0	6850	685	8.45	2670	267	5.27	6.24	2.00	6
200	18	10	88.4	6350	635	8.47	2400	240	5.21	6.15	1.80	6
200	16	8	77.4	5750	575	8.61	2130	213	5.25	6.09	1.60	6
200	14	8	69.8	5190	519	8.63	1870	187	5.17	6.00	1.40	6
200	12	6	58.6	4520	452	8.79	1600	160	5.23	5.95	1.20	5
200	10	6	50.8	3900	390	8.77	1330	133	5.12	5.84	1.00	5
200	8	6	43.0	3260	326	8.71	1070	107	4.98	5.72	0.800	5



CONTÁCTENOS

Envíenos su requerimiento directo al correo:

jherrera@irxchile.cl

Vía teléfono o Whatsapp al **+56.9.56096148**.